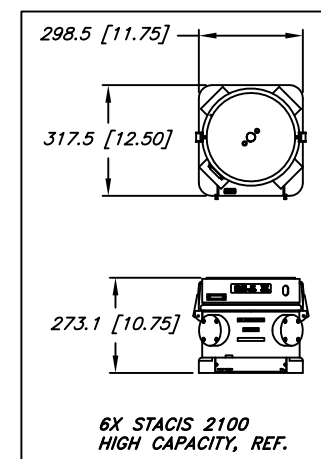
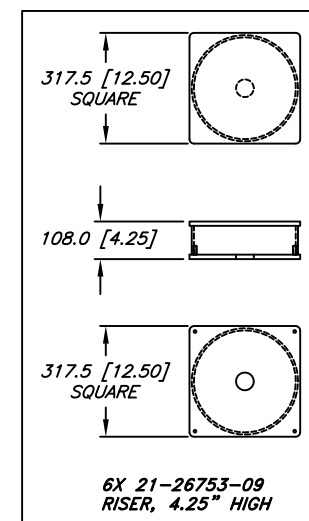
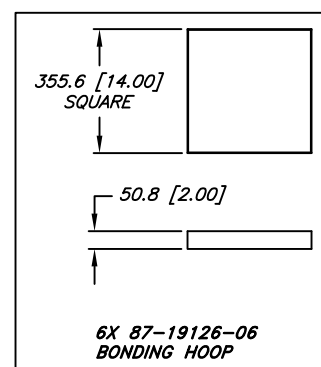


NOTE:  
SEE TMC STACIS 2100 PREINSTALLATION GUIDE FOR COMPLETE SITE REQUIREMENTS.

POUR EPOXY GROUT TO LEVEL JUST OVER BOTTOM SURFACE OF PLATES (GROUT NOT PROVIDED BY TMC).

CONCRETE FLOOR MUST MEET STACIS STIFFNESS REQUIREMENTS OF 450,000 lb/in (80x10 N/M)



**TMC SALES DRAWING**  
Date: \_\_\_\_\_  
Eng: \_\_\_\_\_

**UNCONTROLLED**

<b>TMC</b> Technical Manufacturing Corporation 15 Centennial Drive, Peabody, MA 01960, USA Tel: 978-532-6330, Fax: 978-531-8682	TITLE: <b>OPT.TOP/1500x3200x450 w/STACIS</b>	
	PROPRIETARY INFORMATION: This drawing is the property of TMC. It contains proprietary information which may not be copied or divulged to third parties without TMC's written consent. It may be used to evaluate and/or purchase parts from TMC.	
REF: _____ MATERIAL: _____ FINISH: _____	DRW: GH CHK: _____	DWG NO.: <b>SCIENTECH/784-TBD-1</b>